



SignalOn® Series

Overview Passives

- High density with standard F connectors
- Patented make-before-break attenuator pad design for uninterrupted signal balancing
- Chassis supports both passive and active modules
- Clear chassis door provides protection and clear view of modules
- Clear attenuator pad covers and patented pad guides for simplified maintenance
- High quality, precision F connectors
- Designed to exceed NEBS requirements for grounding/bonding
- Independent EMI near and far-field testing
- One year warranty on all passive modules
- Available in 1RU, 2RU, and 5RU chassis
- NEBS Level 3 compliant
- Modules:
 - RF splitting/combining
 - Directional couplers
 - Diplex filters
 - Conditioning and monitoring
 - L-Band splitters
 - Accessories

Actives

- Meets MIL-202 specs for quality and reliability
- Mounts in same SignalOn® chassis as passive modules for maximum design flexibility
- Digitally variable gain and slope control for non-service-affecting signal level adjustments
- 20 dB monitor points on both input and output signals for testing and troubleshooting
- “Blind-mate” power bus connector with gold-on-gold contacts; requires no cabling
- Chassis mounted AC-DC and DC-DC power supply options
- Redundant powering with dual load shared power supplies for increased availability
- External +24 VDC powering option
- One year warranty on all active modules
- NEBS Level 3 compliant
- Modules:
 - Forward amplifiers
 - Reverse amplifiers
 - Power supplies
 - RF switches



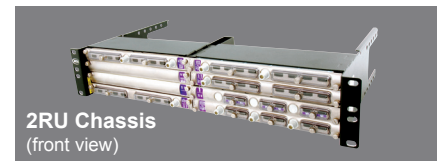
5RU Chassis
(front view)

D3.1/CCAP™
Compliant

1.2 GHz



5RU Chassis
(front view)



2RU Chassis
(front view)



1RU Chassis
(front view)



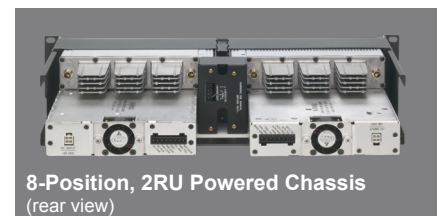
Passive Module with
Make-Before-Break
Attenuation (front view)



Amplifier (front view)

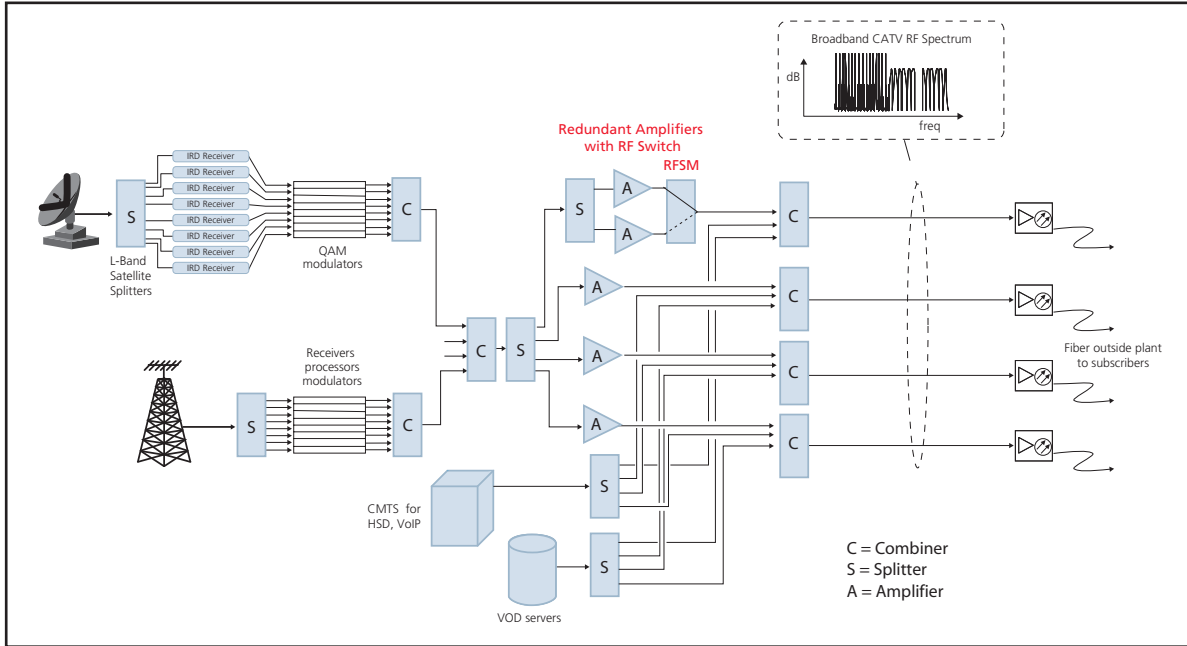


8-Position, 2RU Powered Chassis
(front view)

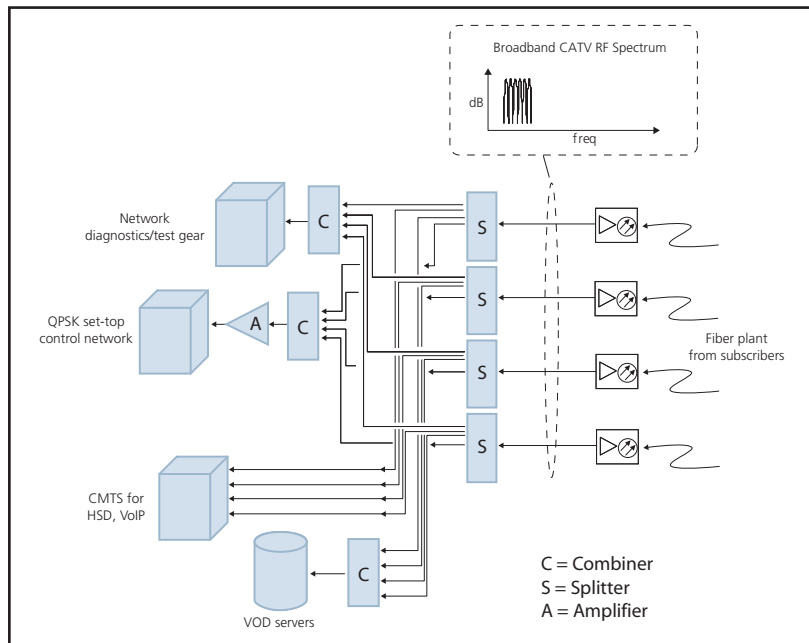


8-Position, 2RU Powered Chassis
(rear view)

Active & Passive Products



Typical Downstream Configuration



Typical Upstream Configuration

SignalOn® Series is a registered trademark of ATX in the United States and/or other countries. Products or features contained herein may be covered by one or more U.S. or foreign patents. Other non-ATX product and company names mentioned in this data sheet are the property of their respective companies.

© 2019 by ATX Networks Corp. and its affiliates (collectively "ATX Networks Corp."). All rights reserved. This material may not be published, broadcast, rewritten, or redistributed. Information in this document is subject to change without notice. Rev. 10/19 (ANW1095)



ATX Networks

Tel: 289.204.7800 | Toll-Free: 866.YOUR.ATX | support@atx