



# SignalOn® Series

## Passive Modules Broadcast/Narrowcast Combiner



5RU Chassis  
(front view)

These devices are intended to precede every downstream optical transmitter, allowing all RF content to converge and be monitored with a high level test port before applying to the transmitter.

D3.1/CCAP™  
Compliant

1.2 GHz

### Features

- High passive isolation to support CCAP™/D3.1
- Patented make-before-break attenuator pad design for hitless signal balancing
- Chassis supports both passive and active modules
- Clear chassis door provides protection and clear view of modules
- Clear pad cover for quick inspection of pad/EQ values
- High quality, precision F connectors
- Available in 1RU, 2RU, and 5RU chassis
- One year warranty on all passive modules
- Designed to exceed NEBS requirements for grounding/bonding
- Certifications: FCC Class B, U/L, NEBS Level 3

### Specifications

MEASUREMENT	FREQUENCY	N-MCF24BCNC		N-MCF24BCNCH		N-MCFBC4NCH	
		MIN (dB)	MAX (dB)	MIN (dB)	MAX (dB)	MIN (dB)	MAX (dB)
INSERTION LOSS (NC)	50 MHz	10	13	9.9	10.9	9.5	12.5
	550 MHz	10	13	10.6	11.8	10.7	13.7
	870 MHz	10	13	11.1	12.4	11.5	14.5
	1002 MHz	10	13	11.3	12.6	11.8	14.8
	1218 MHz			11.6	13	12.3	15.3
INSERTION LOSS (BC)	50 MHz	3	6	3.3	4.3	3.3	4.4
	550 MHz	3	6	4	5	4.0	5.1
	870 MHz	3	6	4.5	5.5	4.5	5.5
	1002 MHz	3	6	4.7	5.7	4.7	5.7
	1218 MHz			5	6	5.0	6.0
FLATNESS	50-1218 MHz		0.5		0.7		< 0.7
TEST PORT LOSS <sup>(1)</sup>	50-1218 MHz	11	13	11	13	19	21
ISOLATION (Min) NC PORT-TO-NC PORT	5-1218 MHz	28		30		30	
ISOLATION (Min) NC PORT-TO-BC PORT	5-1218 MHz	32		32		32	
RETURN LOSS (Min) ANY PORT	5-50 MHz					18	
	50-1002 MHz	20		20		20	
	1002-1218 MHz			18		18	
RFI (Min)	5-1218 MHz					100	

NOTES:

(1) Test point is relative to the common.



BC/NC Combiners  
(front view)

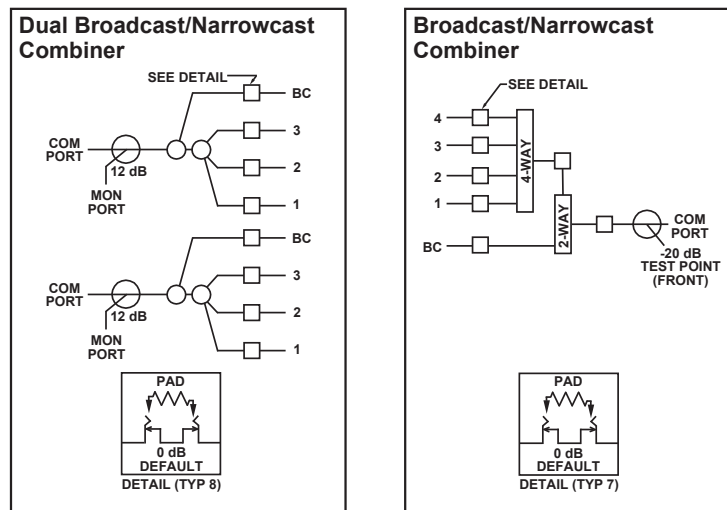
# Specifications

## RF Module

ENVIRONMENTAL	
OPERATING TEMPERATURE	0°C to +50°C (+32°F to +122°F)
STORAGE TEMPERATURE	-40°C to +70°C (-40°F to +158°F)
STORAGE HUMIDITY	5-95% Non-condensing
ELECTRICAL	
EMI (EXTERNAL)	< -100 dBc
INTERNAL ISOLATION OF DUAL/TRIPLE MODULES	< -70 dBc
RETURN LOSS, TEST PORT	> 16 dB
FLATNESS	Defined as MAX +/- Deviation from Linear Trend Line
IMPEDANCE	75 Ω Nominal
OTHER	
DIMENSIONS	8.25"H x 0.83"W x 4.1"D (20.96H x 2.1W x 10.4D cm)
WEIGHT	1.43 lbs (0.65 kg)

NOTE:

\* Unless otherwise stated by module specific table.



Functional Schematics

## Ordering Information

Part Number	Description
<b>1.218 GHz Dual Broadcast + 3x Narrowcast Combiners with 12 dB Test Points</b>	
<b>N-MCF24BCNCH</b>	1x Broadcast, 3x Narrowcast Combiner, Dual, 1.218 GHz, F Connector, 0 dB Default
<b>1.218 GHz Broadcast + 4x Narrowcast Combiners with 20 dB Test Point</b>	
<b>N-MCFB4NCH</b>	1x Broadcast, 4x Narrowcast Combiner, 1.218 GHz, F Connector, 0 dB Default
<b>1 GHz Dual Broadcast + 3x Narrowcast Combiners with 12 dB Test Points</b>	
<b>N-MCF24BCNC</b>	1x Broadcast, 3x Narrowcast Combiner, Dual, 1 GHz, F Connector, 0 dB Default

SignalOn® Series is a registered trademark of ATX in the United States and/or other countries. Products or features contained herein may be covered by one or more U.S. or foreign patents. Other non-ATX product and company names mentioned in this data sheet are the property of their respective companies.

© 2019 by ATX Networks Corp. and its affiliates (collectively "ATX Networks Corp."). All rights reserved. This material may not be published, broadcast, rewritten, or redistributed. Information in this document is subject to change without notice. Rev. 10/19 (ANW1098)



**ATX Networks**

Tel: 289.204.7800 | Toll-Free: 866.YOUR.ATX | support@atx.com