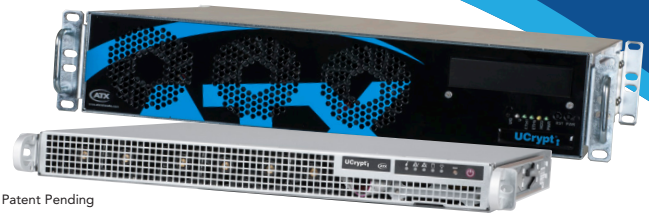


UCrypt® IP2A



Patent Pending

IP to Analog
(front views)

UCrypt® IP to Analog

Features

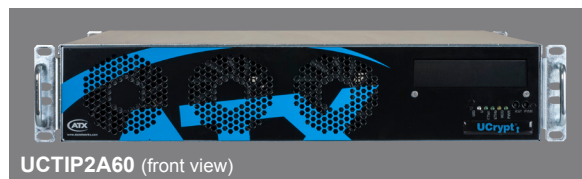
- The UCrypt® IP to Analog product offering allows service providers to ingest programs carried over IP and retransmit them in NTSC or PAL analog formats
- Ideal for replacing legacy analog modulators when converting headends/hubs to all-IP transports
- Perfect for building a “mini headend” for commercial accounts, MDUs or bulk hospitality accounts where non-digital TVs are prevalent
- Allows for delivery of up to 60 individually agile analog channels in the 54-860 MHz frequency range
- Supports ingest of up to 60 MPEG-2 or H.264, HD or SD, IP multicast video streams
- Web based UI includes live preview capability for monitoring processed programs



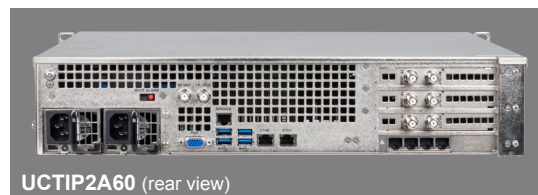
UCTIP2A10 / UCTIP2A20 (front view)



UCTIP2A10 / UCTIP2A20 (rear view)



UCTIP2A60 (front view)



UCTIP2A60 (rear view)

Specifications

UCrypt® IP to Analog

		UCTIP2A10 / UCTIP2A20	UCTIP2A60
INPUT			
ETHERNET	IEEE 802.3-2002,1000BASE-T (GbE)		
CONNECTORS	2x RJ45; Chassis Rear	6x RJ45; Chassis Rear	
TRANSPORT STREAM/LAYER PROTOCOL	SPTS, MPTS over UDP/RTP (VBR or CBR)		
MULTICAST PROTOCOL SUPPORT	IPv4 Unicast & Multicast, IGMP v1, 2 and 3		
SUPPORTED VIDEO FORMATS	MPEG-2 MP@HL / MP@ML, MPEG-4 pt10 AVC/H.264 HP@L4 / MP@L3		
SUPPORTED VIDEO RESOLUTIONS	Up to 720p & 1080i ⁽¹⁾		
SUPPORTED AUDIO FORMATS	Dolby® Digital (AC-3), MPEG-1 L1/2/3, MPEG-2, AAC, AAC (HE), E-AC3		
SUPPORTED AUDIO SAMPLE RATES	Max. 448 kbps		
REDUNDANCY	Dual Input Multicasts per Program		
TS PROCESSING			
DECODING	Supports Decoding of up to 60 Streams per Chassis		
ADDITIONAL PROCESSING CAPABILITIES	Closed Captioning (EIA-608/708), Teletext VBI and Overlay, SCTE-27 / DVB® Subtitles Overlay		
ASPECT RATIO CONTROL	AFD, Center Cut, Letterbox, Disabled		
OUTPUT			
NUMBER OF RF CHANNELS	Up to 60, Fully Agile Modulated Channels		
SUPPORTED MODES	NTSC, PAL B/G, PAL D/K, PAL M/N		
AVAILABLE VBI DATA	WSS Pass Through, VITS Signal Enable - ITU		
FREQUENCY RANGE	54-860 MHz (EIA ch2-135)		
FREQUENCY PLANS	STD, HRC, IRC and Custom Channel Plans		
OUTPUT LEVEL & FLATNESS	36 dBmV +/- 2 dB per Analog Carrier		
CARRIER-TO-NOISE RATIO (CNR)	55 dB ⁽²⁾ (min)		
COMP. TR. BT. (CTB)	-65 dBc		
COMP. 2nd ORD. (CSO)	-65 dBc		
OUTPUT RETURN LOSS	18 dB (min)		
DEMODULATED VIDEO	DIFFERENTIAL GAIN	≤ 5%	
	GROUP DELAY VARIATIONS	≤ 100nS	
	2TK FACTOR	≤ 2%	
ANALOG AUDIO OUTPUT FORMAT	Stereo, NICAM Stereo Audio, A2 Audio, SAP, Mono		
ANALOG AUDIO FREQUENCY RESPONSE	Primary: 50 Hz to 15 kHz, Secondary: 50 Hz to 10 kHz		
RF CONNECTOR	F Connector; Chassis Rear		
RF TEST PORT	-20 dB Relative to Output; F Connector, Chassis Rear		
DEVICE MANAGEMENT			
MANAGEMENT INTERFACE	Local or Remote Management via Integrated Secure Web Server		
MANAGEMENT INTERFACE PORT	1000BASE-T, Static IP or DHCP, RJ45, Chassis Rear		
MASS DEPLOYMENT & BACKUP	Importable/Exportable Device Configuration Files		
REMOTE MONITORING	SNMP, UI Live Preview		
ALARMS	SNMP Traps/UI Alerts and Alarms		
EAS			
MODES	Support for ANSI/SCTE 18 Messaging		
PHYSICAL & ENVIRONMENTAL			
FORM FACTOR	1RU, 19" Rack Mount	2RU, 19" Rack Mount	
DIMENSIONS	1.75"H x 19.0"W x 23.0"D (4.45H x 48.26W x 58.42D cm)	3.5"H x 19.0"W x 17.2"D (8.89H x 48.26W x 43.69D cm)	
WEIGHT	25.4 lbs (11.5 kg)	29.8 lbs (13.5 kg)	
POWERING REDUNDANCY	Fully Redundant 650W Power Supply Modules, Hot-swappable		
INPUT POWER RATING	110-220 VAC or -48 VDC		

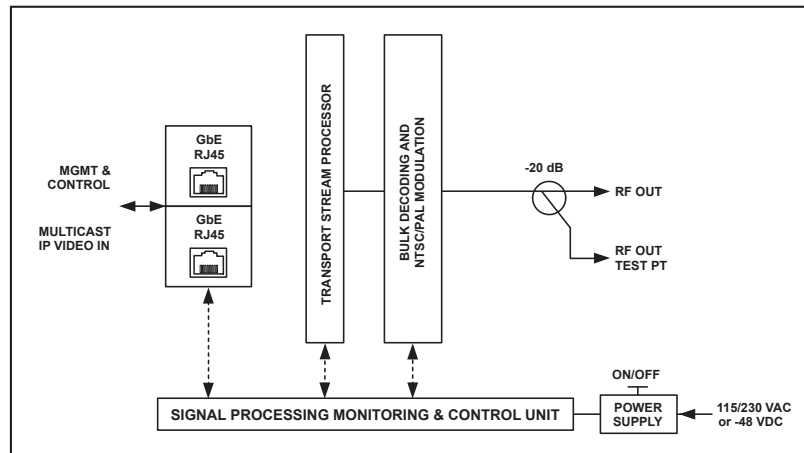
Specifications (cont'd)

UCrypt® IP to Analog

	UCTIP2A10 / UCTIP2A20	UCTIP2A60
PHYSICAL & ENVIRONMENTAL (cont'd)		
OPERATING TEMPERATURE	0°C to +40°C ⁽³⁾ (+35°F to +104°F)	
HUMIDITY	0-95% Non-condensing	

NOTES:

- (1) Includes the following resolutions: 640x480, 720x480, 704x480, 544x480, 528x480, 352x480 at 29.97 fps.
- (2) CNR specification applies to output from non-combined RF output ports only.
- (3) For details on exceeding +30°C, please refer to the UCrypt Environment & Temperature Considerations Info Sheet (#ANW1066).
Dolby is a registered trademark of Dolby Laboratories. Manufactured under license from Dolby Laboratories. Specifications



Functional Schematic

Ordering Information

Part Number	Description
IP to Analog	
UCTIP2A10	UC IP2A 10-channel IP Input and Analog Output (AC power), 1RU
UCTIP2A20	UC IP2A 20-channel IP Input and Analog Output (AC power), 1RU
UCTIP2A60	UC IP2A 60-channel IP Input and Analog Output (AC power), 2RU
UCTIP2A10DC	UC IP2A 10-channel IP Input and Analog Output (DC power), 1RU
UCTIP2A20DC	UC IP2A 20-channel IP Input and Analog Output (DC power), 1RU
UCTIP2A60DC	UC IP2A 60-channel IP Input and Analog Output (DC power), 2RU
Power Supply Modules	
UCTPSMOD-AC4	UCrypt AC Power Supply Module 4 (UCTIP2A10 / UCTIP2A20)
UCTPSMOD-AC3	UCrypt AC Power Supply Module 3 (UCTIP2A60)
UCTPSMOD-DC3	UCrypt DC Power Supply Module 3 (UCTIP2A10 / UCTIP2A20)
UCTPSMOD-DC1	UCrypt DC Power Supply Module 1 (UCTIP2A60)

* Any use of the UCrypt product, directly or indirectly, for the decryption and unauthorized reproduction of content that constitutes or may constitute copyright infringement or otherwise infringes on the proprietary rights of any third party is expressly prohibited. No user of UCrypt shall use UCrypt for any purpose or in any manner which, directly or indirectly, violates the law, violates the proprietary rights of any other party, or aids in any unlawful act or undertaking including, without limitation, laws governing data privacy, international data transmission, and export of technology or data. Any multiple systems operator or other similar party ("MSO") will use the UCrypt product in strict compliance with all applicable laws and in compliance with any agreement in effect between the MSO and a content provider. In no event shall ATX Networks Corp. or any of its affiliates be liable to an MSO, any end user of the UCrypt product, or any other third party, for any claims arising out of or related to any use or misuse of the UCrypt product in contravention of this disclaimer. It is the express obligation of an MSO to convey this disclaimer to any other end user of the UCrypt product.

UCrypt devices support most desktop web browsers for viewing and editing. Our support is focused on the most recent versions of the browsers. Chrome™ and Firefox® supported on PC, Mac®, and Linux®; Microsoft® Edge and Internet Explorer® 11 (Windows® 8+) are only supported for PC. We recommend using the latest browser version available to your operating system.

MDU Solutions® and UCrypt® are registered trademarks of ATX in the United States and/or other countries. Products or features contained herein may be covered by one or more U.S. or foreign patents. Dolby®, DVB®, Chrome™, Firefox®, PC, Mac®, Linux®, Microsoft® Edge, Internet Explorer®, Windows® and other non-ATX product and company names mentioned in this data sheet are the property of their respective companies.

© 2019 by ATX Networks Corp. and its affiliates (collectively "ATX Networks Corp."). All rights reserved. This material may not be published, broadcast, rewritten, or redistributed. Information in this document is subject to change without notice.
Rev. 11/19 (ANW1111)

Tel: 289.204.7800 | Toll-Free: 866.YOUR.ATX | support@atx.com



ATX Networks