

GigaXtend SG Series

SGP 1.2GHz Line Equalizer



SGP 1.2GHz Line Equalizer
(front view)

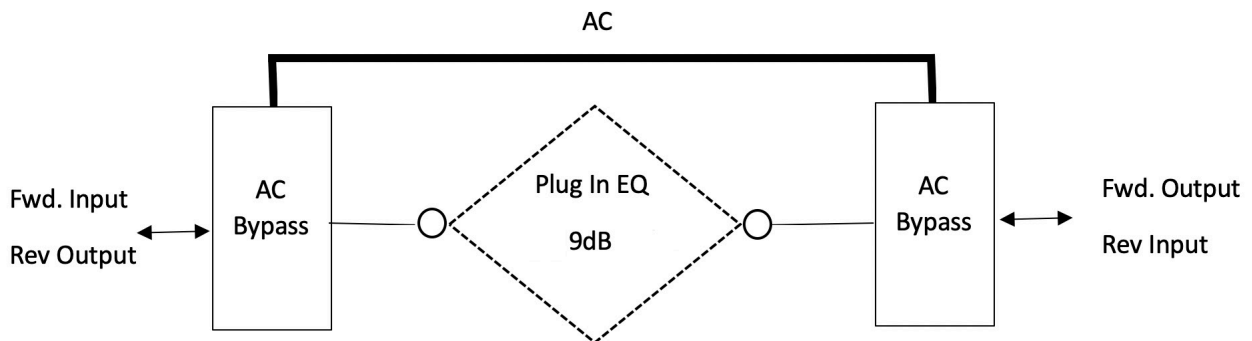
1.2 GHz

The GigaXtend SGP 1.2GHz Line Equalizer improves network performance on both forward and reverse paths in a coaxial transmission system. This model does not have a diplex filter function, meaning it will not need to be upgraded as a customer migrates its plant to mid/high-split returns.

A default 9dB plug-in equalizer will flatten the forward response on all devices downstream of the LEQ module. In the upstream, it also inherently provides added loss to compensate for the low loss of the coaxial plant at low frequencies, which ensures that cable modems will transmit at higher levels to maximize CNR. This allows higher modulation rates to improve overall capacity.

Features

- Plug-in 9dB cable EQ (default). Can be changed to other values.
- Industry-leading insertion loss specifications reduce amplifier requirements
- 15A current passing capability, which allows placement in all portions of the network
- 6kV surge protection
- AC bypass in housing provides uninterrupted AC when faceplate removed. (Prevents 15m RPD reboot)
- Circuit contained in faceplate, compatible with existing Cisco/ATX line equalizer products
- Rugged, polymer-coated housing that provides reliable performance in the most challenging environments.
- Plug-in equalizer can be replaced with a zero dB pad (JXP-A-00) to provide an RF by-pass mode



Functional Schematic

Specifications

ATX PART NUMBER	GTSG-LEQ-FP	
SPECIFICATION	FREQUENCY (MHz)	
Insertion Loss (-dB)	5	9.6
	10	9.5
	40	8.8
	204	7.0
	258	6.6
	550	4.7
	750	3.7
	870	3.1
	1000	2.9
	1218	1.7
	1250	1.7
Tolerance (+/-dB)	50-1250	1.0
Flatness With Tilt (+/-dB)	5-204	0.5
	204-1250	0.5
Return Loss (-dB)	10-40	15
	40-1002	16
	1002-1250	16
Hum Modulation @ 15 AMPS	10-1250	65

MECHANICAL	
WATER AND DUST INGRESS RATING	IP68
DIMENSIONS (FULL PROFILE)	4.45"H x 5.63"W x 3.12"D
WEIGHT	0.51kg, 1.12 lb

Ordering Information

Part Number	Description
GTSG-LEQ-FP	SG Comp. Line EQ , 1.2GHz with 9dB plug-in cable EQ (Mult=10)

GigaXtend FST Foward EQ

Part Number	Description
Forward Equalizers (order in multiples of 8)	
GTSG-FST-FEQ-02	2 dB FST Forward EQ (Mult=8)
GTSG-FST-FEQ-03	3 dB FST Forward EQ (Mult=8)
GTSG-FST-FEQ-04	4 dB FST Forward EQ (Mult=8)
GTSG-FST-FEQ-06	6 dB FST Forward EQ (Mult=8)
GTSG-FST-FEQ-08	8 dB FST Forward EQ (Mult=8)
GTSG-FST-FEQ-09	9 dB FST Forward EQ (Mult=8)
GTSG-FST-FEQ-10	10 dB FST Forward EQ (Mult=8)

GigaXtend FST Foward EQ Continued

Part Number	Description
Forward Equalizers (order in multiples of 8)	
GTSG-FST-FEQ-12	12 dB FST Forward EQ (Mult=8)
GTSG-FST-FEQ-14	14 dB FST Forward EQ (Mult=8)
GTSG-FST-FEQ-15	15 dB FST Forward EQ (Mult=8)
GTSG-FST-FEQ-16	16 dB FST Forward EQ (Mult=8)
GTSG-FST-FEQ-18	18 dB FST Forward EQ (Mult=8)
GTSG-FST-FEQ-20	20 dB FST Forward EQ (Mult=8)
GTSG-FST-FEQ-22	22 dB FST Forward EQ (Mult=8)

Cisco, the Cisco logo, Cisco Systems, the Cisco Systems logo, and GainMaker are trademarks or registered trademarks of Cisco Systems, Inc. and/or its affiliates in the U.S. and certain other countries.

Products or features contained herein may be covered by one or more U.S. or foreign patents. Other non-ATX product and company names mentioned in this data sheet are the property of their respective companies.



© 2021 by ATX Networks Corp. and its affiliates (collectively "ATX Networks Corp."). All rights reserved. This material may not be published, broadcast, rewritten, or redistributed. Information in this document is subject to change without notice. Rev. 02/2021 (ANW1522)

ATX Networks

Tel: 289.204.7800 | Toll-Free: 866.YOUR.ATX | support@atx.com